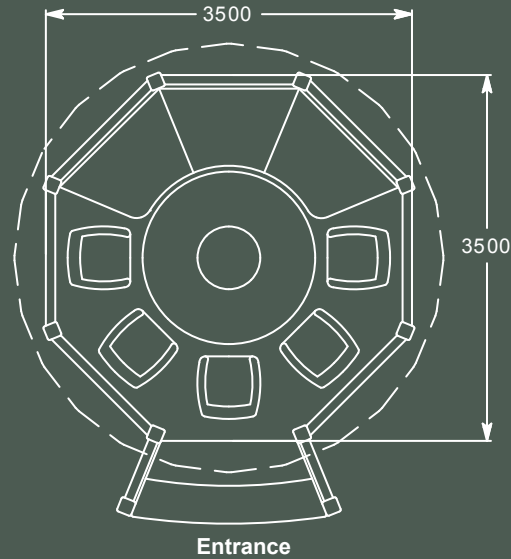
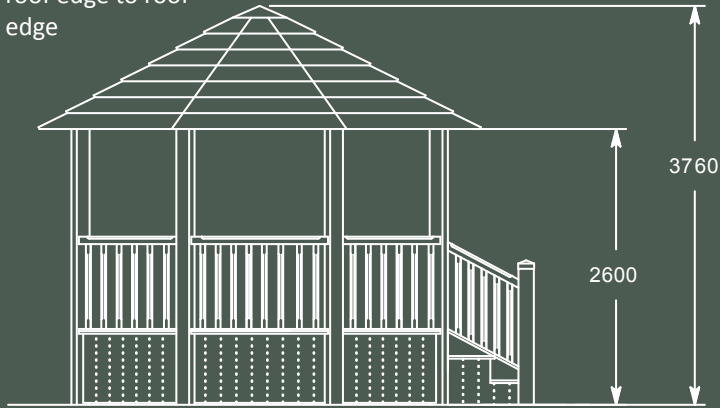




CROWN PAVILIONS
HAMPTON COURT

CROWN WENTWORTH

Please note:
measurements
in mm given
here are from
roof edge to roof
edge



Crown Wentworth

The robust Wentworth is truly magnificent. It's one of the original Crown designs and remains a favourite. Offering the classic outdoor dining space, it easily seats 13 to 16 people in unsurpassed comfort. The Wentworth is also flexible: with two seating options - 8 luxury polywicker armchairs set around a robust circular cedar table or comfortable bench seating for entertaining up to 16 people, all year round.

The Wentworth is available in the finest quality grade FSC European Redwood or Canadian Western Red Cedar. It is also very flexible, offering you two different seating options. You can choose either eight luxury Polywicker armchairs set around a stunning octagonal cedar table with optional black granite 'lazy Susan' or comfortable bench seating around a made-to-measure solid cedar table for entertaining up to 12 people.

“ We could not be more thrilled with our new Wentworth pavilion. It has created a defining architectural focus to the entertaining area of the garden in a most natural way. The whole of the Crown Pavilion team have been very friendly, polite and professional - 'a breath of fresh air'. Come rain or shine we will be ready to dine! Thank you so much and all the best! Every garden should have one.

George Harvey, Kent

Crown Wentworth (Cedar)



CROWN PAVILIONS

PHONE +44 (0) 1491 612 820

EMAIL sales@crownpavilions.com
WEBSITE www.crownpavilions.com

ADDRESS 6b Lys Mill, Watlington,
Oxfordshire OX49 5EP